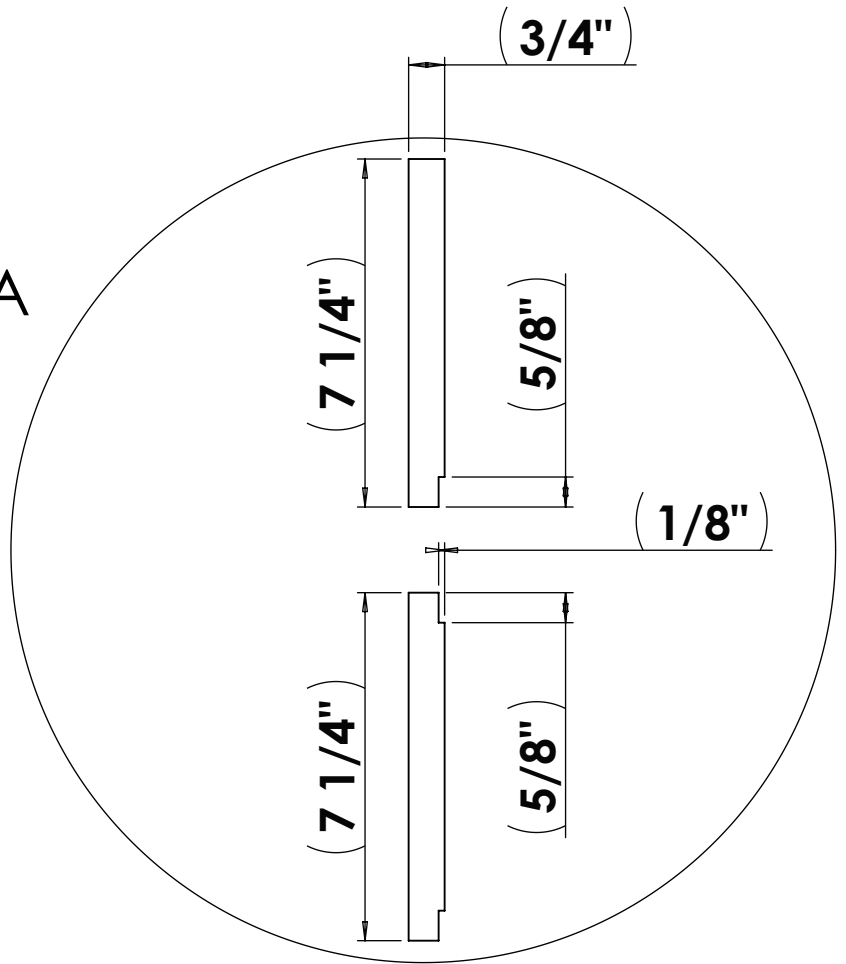
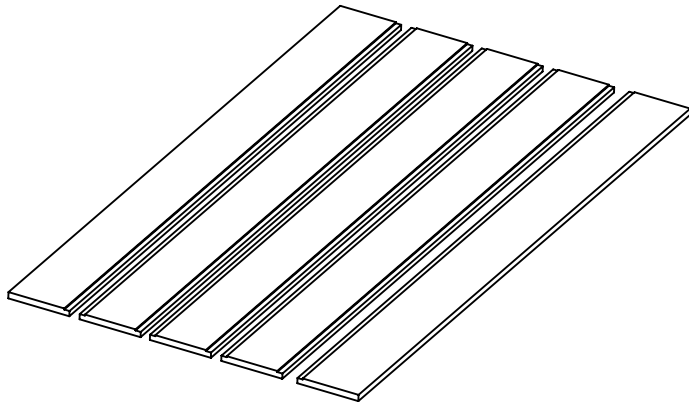


A



A (1 : 4)



Notes:
Cut Profiles for
V8 Wood Bed

The product or part represented herein is confidential and protected by work-product and other privileges. Reproduction or distribution of the information or drawings contained within is strictly prohibited without the express written permission of Last Refuge Hot Rods.

Scale:	Tolerances:	
Rev	Description of Revision	Date

Drawn:
VNeeley

Approved:

DXF Cut File:

Other Cad Files:

Part:
V8 Wood Floor

Part Number:

Sheet: of:

