

A (1 : 4)

Notes:
Cut Profiles for 40 Ford Wood Bed

Scale:

Tolerances:

Drawn:
VNeeley

Rev	Description of Revision	Date

Approved:

Part:
40 Ford Wood Floor

DXF Cut File:

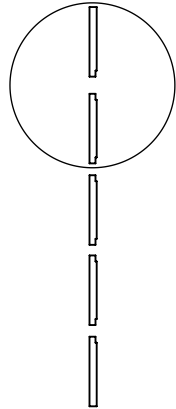
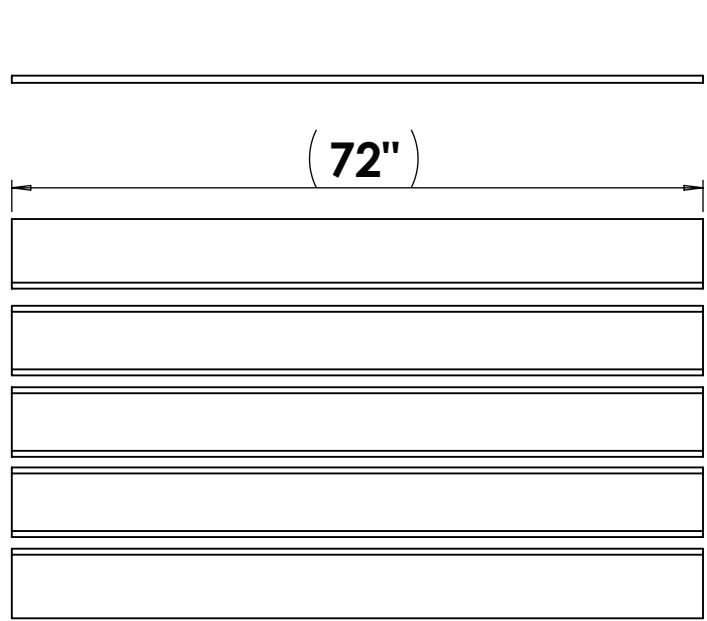
Part Number:

Other Cad Files:

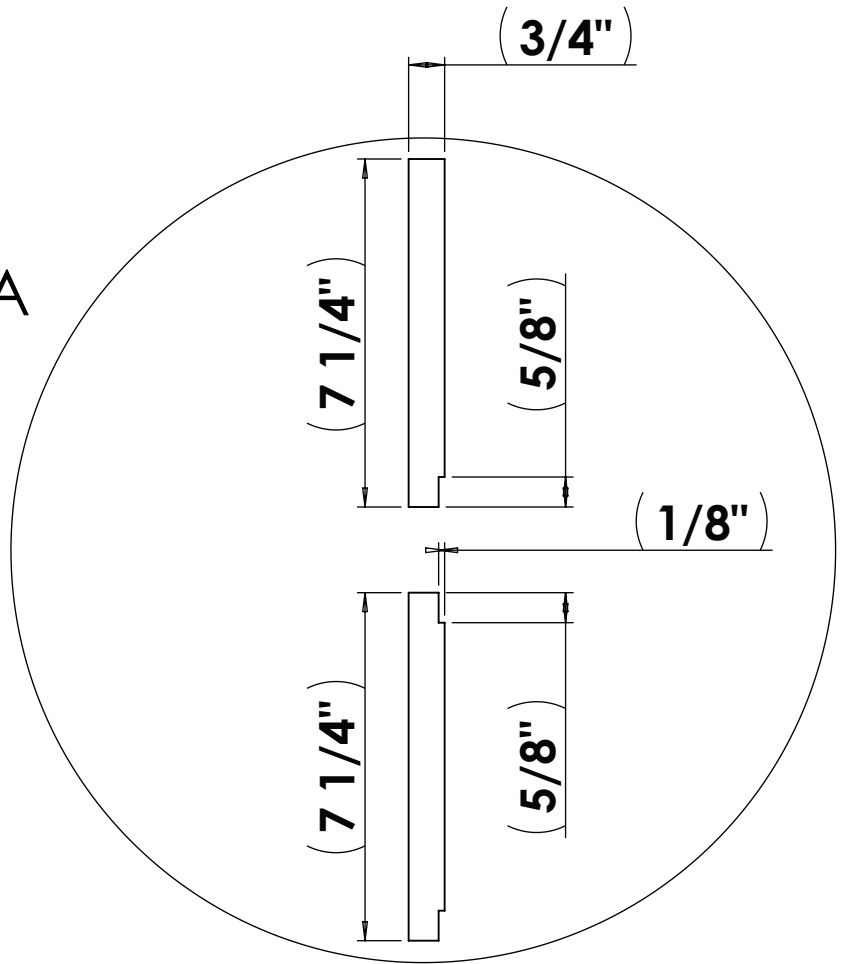
Sheet: of:

The product or part represented herein is confidential and protected by work-product and other privileges. Reproduction or distribution of the information or drawings contained within is strictly prohibited without the express written permission of Last Refuge Hot Rods.

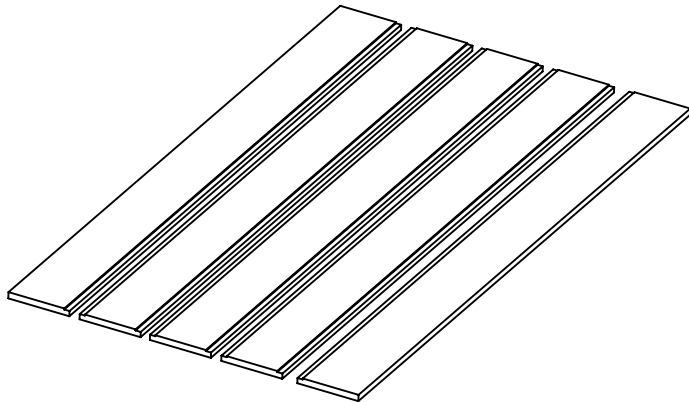




A



A (1 : 4)

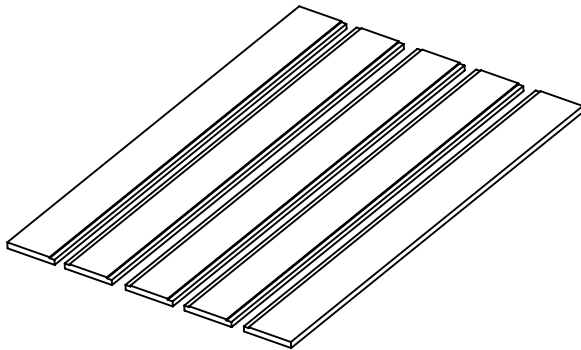
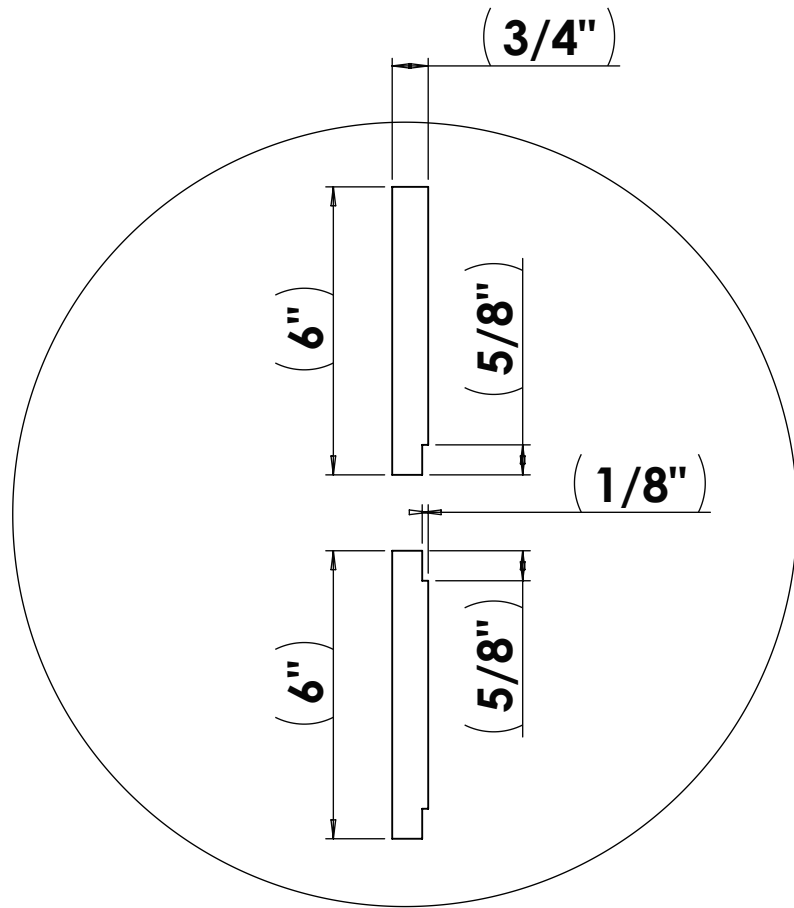
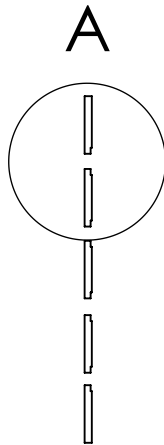
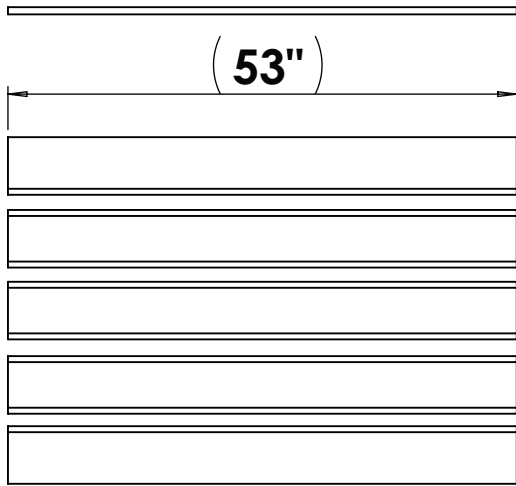


Notes:
Cut Profiles for
V8 Wood Bed

The product or part represented herein is confidential and protected by work-product and other privileges. Reproduction or distribution of the information or drawings contained within is strictly prohibited without the express written permission of Last Refuge Hot Rods.

Scale:	Tolerances:	Drawn: VNeeley
Rev	Description of Revision	Date
Approved:		Part: V8 Wood Floor
DXF Cut File:		Part Number:
Other Cad Files:		Sheet: of:





A (1 : 4)

Notes:
Cut Profiles for Model 'A' Wood Bed

The product or part represented herein is confidential and protected by work-product and other privileges. Reproduction or distribution of the information or drawings contained within is strictly prohibited without the express written permission of Last Refuge Hot Rods.

Scale:	Tolerances:	Drawn: VNeeley
Rev	Description of Revision	Date
Approved:		Part:
DXF Cut File:		Model 'A' Wood Floor
Other Cad Files:		Part Number:
		Sheet: of:

